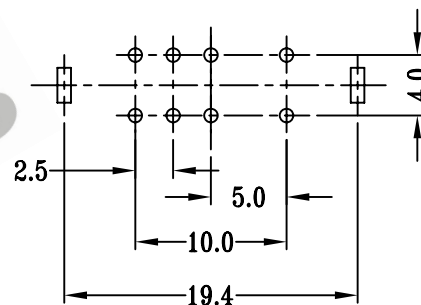
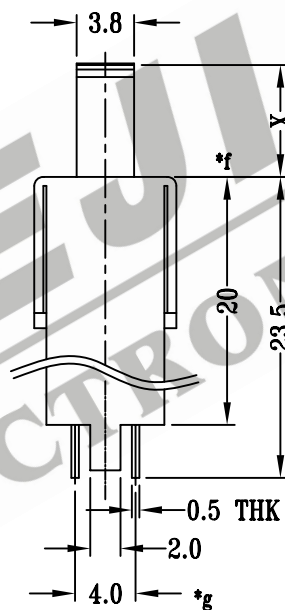
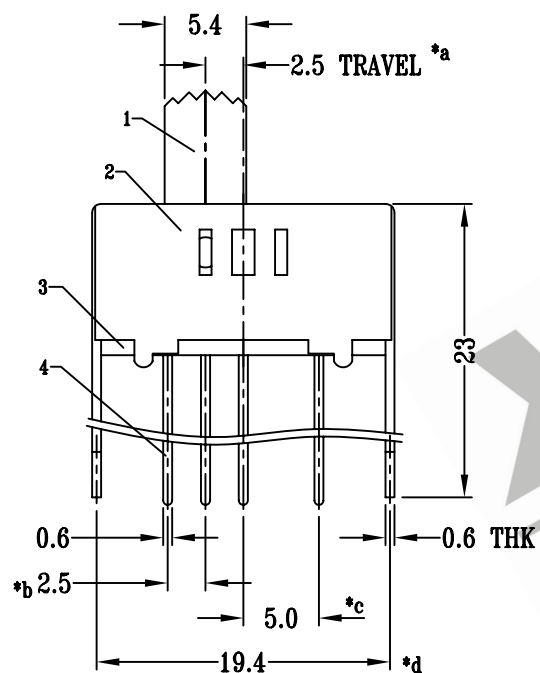
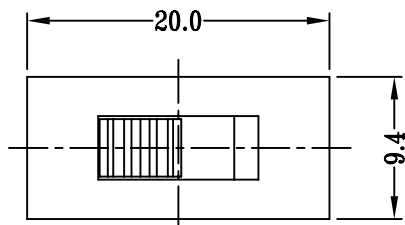
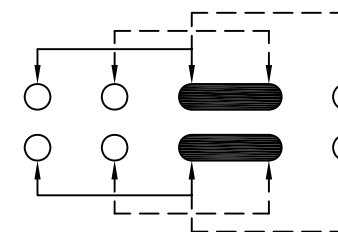


CAD FILE:



P.C.B LAYOUT



SCHEMATIC (SHORTING)

注:带"\*"表示关键尺寸(7个)

				TOLERANCE UNLESS SPECIFIED		SHENZHEN XIEJIA ELECTRONICS CO.,LTD.				
				WITHIN: 1.5±0.1mm		ISSUE	DATE	DESCRIPTIONS		APPD.
				OVER : 1.5±0.2mm				TITLE : VERTICAL SLIDE SWITCH		UNIT : MM
8								DRWG NO.: XJ-DR-SS23E12-00		
7	STEEL BALL	STEEL	2	NATURAL			SCALE: 2:1	DWN.	ZHOUYU	2004-5-28
6	SPRING	STEEL WIRE	1	TEMPER				CHK'D	FANGYING	2004-5-28
5	CONTACT CLIP	PBS STRIP	2	Ag PLATED				APPD.	KANGXINAN	2004-5-28
4	TERMINAL	BRASS STRIP	8	Ag PLATED OVER Ni PLATED				ALL MATERIALS MUST BE COMPLIANT TO ROHS		
3	BASE	PHENOLIC RESIN	1	NATURAL						
2	FRAME	STEEL STRIP	1	Ni PLATED						
1	KNOB	POM	1	BLACK						
NO.	PART NAME	MATERIAL	Q'TY	FINISHING						